

Passive infrared sensor interface board

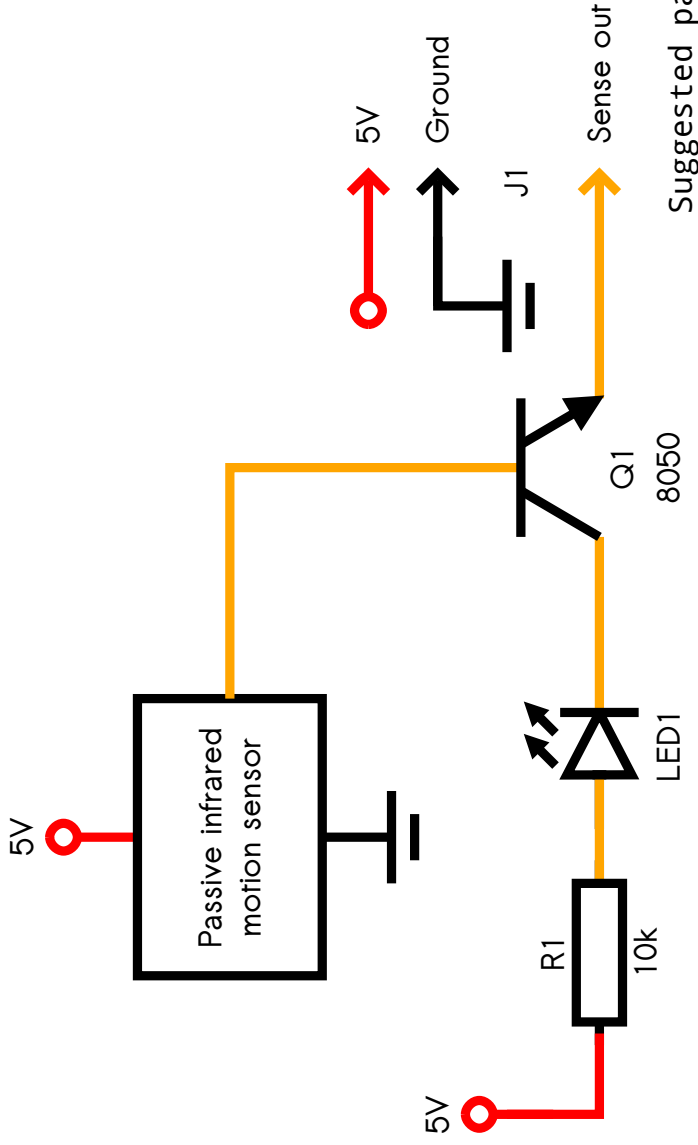
© 2015 Alexander Hajnal

Version 1.0 2015-03-07 <http://alephnull.net/software/diode/pwm.shtml>

This design is presented for educational purposes only. I make no warranty or representation, either express or implied, with respect to this information, its quality, performance, accuracy, merchantability, or fitness for a particular purpose. This diagram is provided 'as is', and you, by making use thereof, are assuming the entire risk.



Licensed under the terms of the Creative Commons Attribution-NonCommercial-ShareAlike 4.0 International License. <http://creativecommons.org/licenses/by-nc-sa/4.0/>



Suggested parts:

Resistor:

1x 10k 600mW

Transistor:

1x SS8050CBU NPN BJT 40V 1.5A

LED (diffused):

1x amber (e.g. LTL-1CHA)

Connectors:

3x right-angle pin header

Sensor:

1x PIR motion sensor (e.g. Adafruit 189)

Case:

Acrylic box, 2" x 2" x 3/4"
(e.g. Container Store 60220)

